



THREADED ADAPTERS



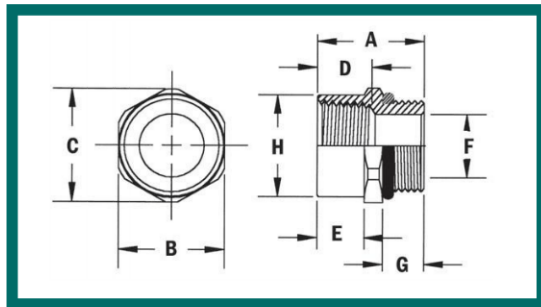
Tuff Seal Threaded Adapters easily convert – or mate – one thread style with another. These adapters are offered with both internal and external threads that mate NPT with Metric (or ISO) style fittings or NPT with Pg fittings. They are constructed of machined aluminum with electroless-nickel plating for enhanced protection against corrosion, friction and contamination. The threaded adapters also incorporate a Viton™ O-Ring to provide a liquid-tight seal. This product family is UL Recognized and meets ASTM, MIL and AMS specifications. Custom thread configurations are also available upon request.

"M" (ISO) METRIC THREADED ADAPTERS

Part Number	External Thread	Internal Thread	A	B Hex	C Dia.	D	E	F Dia.	G	H Dia.
RAM-16M37F	M16 x 1.5	3/8 NPT	1.000	.875	.970	.400	.435	.455	.390	.830
RAM-16M50F	M16 x 1.5	1/2 NPT	1.000	1.000	1.090	.510	.445	.610	.390	.980
RAM-20M50F	M20 x 1.5	1/2 NPT	1.000	1.000	1.090	.510	.445	.610	.390	.980
RAM-25M50F	M25 x 1.5	1/2 NPT	1.000	1.250	1.375	.520	.400	.625	.390	1.180
RAM-25M75F	M25 x 1.5	3/4 NPT	1.000	1.250	1.375	.520	.400	.800	.390	1.180
RAM-32M75F	M32 x 1.5	3/4 NPT	1.000	1.375	1.530	.520	.400	.800	.390	1.180
RAM-32M100F	M32 x 1.5	1 NPT	1.250	1.437	1.600	.680	.635	.990	.390	1.430
RAM-32M125F	M32 x 1.5	1-1/4 NPT	1.280	2.000	2.220	.700	.635	.937	.390	1.850
RAM-40M100F	M40 x 1.5	1 NPT	1.250	2.000	2.220	.680	.635	1.060	.390	1.430
RAM-40M125F	M40 x 1.5	1-1/4 NPT	1.280	2.000	2.220	.700	.635	1.320	.390	1.850
RAM-50M150F	M50 x 1.5	1-1/2 NPT	1.280	2.250	2.475	.700	.635	1.500	.390	2.190

Pg THREADED ADAPTERS

Part Number	External Thread	Internal Thread	A	B Hex	C Dia.	D	E	F Dia.	G	H Dia.
RAPG-11M37F	Pg 11	3/8 NPT	1.000	1.000	.970	.400	.435	.455	.390	.830
RAPG-11M50F	Pg 11	1/2 NPT	1.000	1.000	1.090	.510	.445	.485	.390	.980
RAPG-13.5M50F	Pg 13.5	1/2 NPT	1.000	1.000	1.090	.510	.445	.610	.390	.980
RAPG-16M50F	Pg 16	1/2 NPT	1.000	1.000	1.090	.510	.445	.610	.390	.980
RAPG-21M50F	Pg 21	1/2 NPT	1.000	1.250	1.375	.510	.445	.865	.390	.980
RAPG-21M75F	Pg 21	3/4 NPT	1.000	1.250	1.375	.520	.400	.865	.390	1.180
RAPG-29M100F	Pg 29	1 NPT	1.250	1.562	1.720	.680	.635	.990	.390	1.480
RAPG-29M125F	Pg 29	1-1/4 NPT	1.280	2.000	2.220	.700	.635	1.140	.390	1.850
RAPG-36M125F	Pg 36	1-1/4 NPT	1.280	2.000	2.220	.700	.635	1.290	.390	1.850
RAPG-36M150F	Pg 36	1-1/2 NPT	1.280	2.000	2.220	.700	.635	1.500	.390	2.190
RAPG-42M125F	Pg 42	1-1/4 NPT	1.280	2.250	2.220	.700	.635	1.500	.390	2.190
RAPG-42M150F	Pg 42	1-1/2 NPT	1.280	2.250	2.475	.700	.635	1.500	.390	2.190



CORD CONNECTORS

WIRE MESH GRIPS

PICO-LINK

MICRO-LINK

MINI-LINK

MULTI-PORT BOXES

BUS SYSTEM PRODUCTS